



CARMANAH

Design and Manufacturing Inc.

SUSPENDED CHIP SCREEN



FAST FACTS

- Carmanah has over 85 years experience in the forest industry
- Capacities range from 25-60 units/hour



General Description

Supplying screens since the 1960's, CARMANAH has developed considerable capability in the design and manufacture of chip screens. Through the years, we have continued to refine the product and today offer a "state of the art" efficient and robust design. Our suspended screen can be mounted from the customer's existing steel supports, or as an option, a rigid steel base mounted frame can be provided to support the screen. High screening capacity is made possible through optimized drive and screen design.

The drive design maximizes RPM and screening efficiency with minimum obstruction in the screening area. As well, the waterfall design of the fines screen maximizes chip tumbling action to improve overall fines removal.

There are four sizes available with capacities ranging from 25-60 Units/Hour. Careful attention has been given to the design for simplified maintenance, easy belt changing and screen removal. If you would like a quote or require further information please give us a call or check out our website.

SUSPENDED CHIP SCREEN

Features

Screen Frame

- Flat rotary motion
- Strong, rigid steel fabrication
- Large landing platform
- Lower deck waterfall design to improve fines removal
- Clean-out holes in the sides and back of frame

Tech Specs

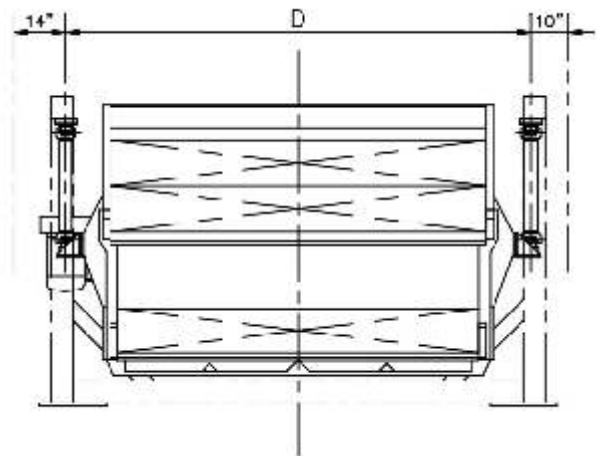
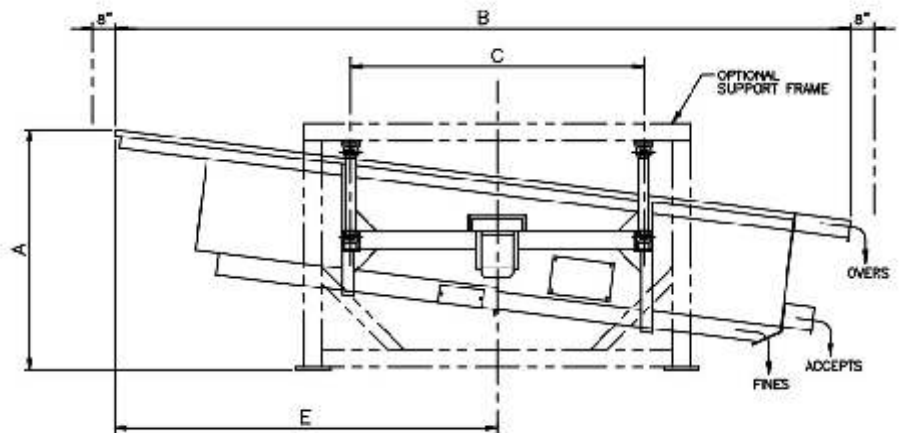
- Speed 300 RPM
- 1800 RPM, TEFC
- 5, 7-1/2 & 10 HP Motors

Optional Equipment

- Optional discharge spouts
- Various hole sizes and materials for screen plates (UHMW, Stainless Steel)
- Custom design spouts
- Base mounting frame
- Special drive motors to meet customer specifications

Dimensions

Model	A	B	C	D	E
55S	5-9	14-4	5-2	7-4	7-5
65S	6-1	16-8	6-2	8-4	8-9
75S	6-5	18-8	7-2	9-4	9-9
85S	6-10	21-0	8-4	10-6	10-11



Capacities

MODEL	SCREEN SIZE	CAPACITY UNITS/HR.	DRIVE H.P.	SHIPPING WEIGHT LBS.	SHIPPING VOLUME CU. FT.
55S	5-4 x 10-8	25	5	4,400	335
65S	6-4 x 12-8	35	5	5,200	420
75S	7-4 x 14-8	46	7	6,100	540
85S	8-6 x 17-0	60	10	7,100	690



CARMANAH

Design and Manufacturing Inc.

Unit #8 - 15050 54A Avenue
Surrey, BC Canada V3S 5X7
604-299-3431 Fax: 604-299-1310

info@carmanahdesign.com

www.carmanahdesign.com