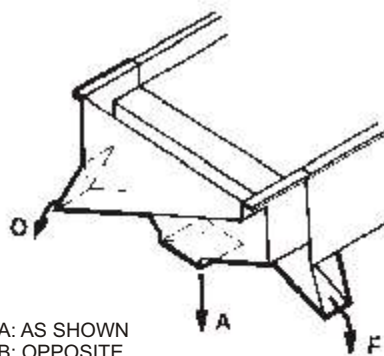




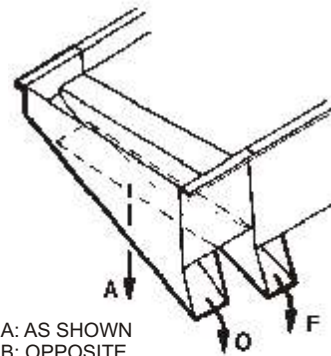
**CARMANAH**  
Design and Manufacturing Inc.

# SUSPENDED CHIP SCREEN

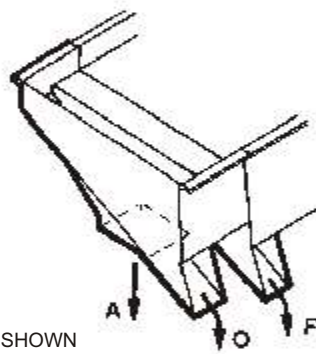
## Optional Discharge Spouts



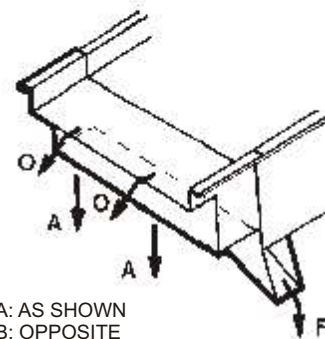
TYPE 1A: AS SHOWN  
TYPE 1B: OPPOSITE



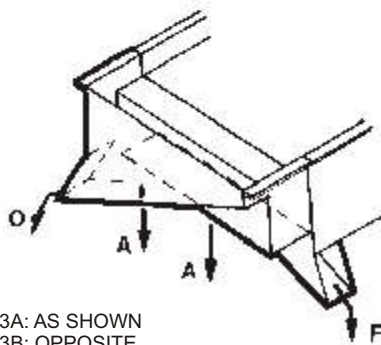
TYPE 4A: AS SHOWN  
TYPE 4B: OPPOSITE



TYPE 2A: AS SHOWN  
TYPE 2B: OPPOSITE



TYPE 5A: AS SHOWN  
TYPE 5B: OPPOSITE



TYPE 3A: AS SHOWN  
TYPE 3B: OPPOSITE

**LEGEND**  
A = ACCEPTS  
O = OVERS  
F = FINES

Above sketches are indicative of material flow

## FAST FACTS

- Available for all screens
- Custom discharge is also available



**CARMANAH**  
Design and Manufacturing Inc.

Unit #8 - 15050 54A Avenue  
Surrey, BC Canada V3S 5X7  
604-299-3431 Fax: 604-299-1310

info@carmanahdesign.com

www.carmanahdesign.com

CHIP PROCESSING PULPMILL SERVICES ENGINEERED WOOD **CHIP PROCESSING** PULPMILL SERVICES  
PULPMILL SERVICES ENGINEERED WOOD **CHIP PROCESSING** PULPMILL SERVICES ENGINEERED WOOD  
ENGINEERED WOOD **CHIP PROCESSING** PULPMILL SERVICES ENGINEERED WOOD **CHIP PROCESSING**