



**CARMANAH**

Design and Manufacturing Inc.

# 76" DISC CHIPPER



## FAST FACTS

- 76" deep spout design will accept a 19 3/4" whole log
- 76" 8-Knife chipper will process on average 50 units of chips per hour
- 76" 10 - Knife Chipper will process on average 60 units of chips per hour

### Innovation

At Carmanah, we constantly look at improving the operation and reliability of our products. An example is the development of carbide inserts for our chipper anvils. This innovation adds a second cutting edge on the opposite face of the insert. Our customers benefit with reduced parts and maintenance costs and generally produce a superior quality chip as a result of the carbide maintaining its edge longer.

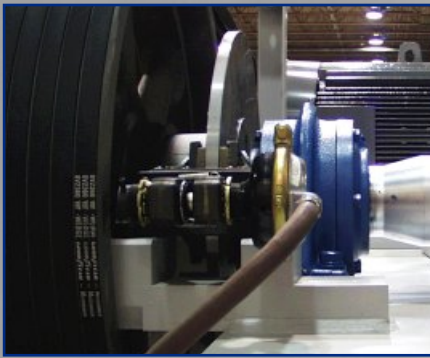
### Design

The 76" Chipper is the heavyweight contender in wastewood or whole log chipping – unique features such as our Cast Disc, Swing-Away Anvil and J-Spout are a few of the reasons our chipper has enjoyed such popularity among operations throughout North America. The 76" Chipper was developed for use in whole log chipping, but with addition of the J-Spout design, it is also well suited for wastewood applications.

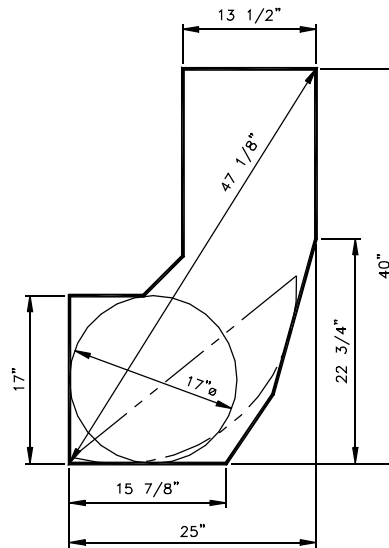
### Reliability

At Carmanah, we manufacture products to provide years of trouble-free operation. It is common for our inside sales group to receive parts requests for chippers manufactured in the 60's and 70's – and of course, those parts are available. The 76" Chipper was developed during the 1970's and over 45 units are operating worldwide.

# 76" DISC CHIPPER

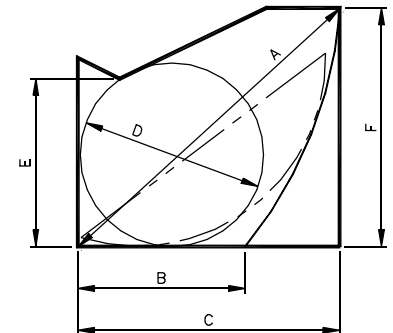


## Spout Dimensions



### J-Spout

## Deep Spout



	Standard Spout	Deep Spout*
A	33.5"	35"
B	16"	14"
C	25"	25"
D	17.5"	19.75"
E	16"	18"
F	22.75"	24.5"

\*Deep Spout is recommended for use on logs only.

## Features

- High quality cast disc with contoured hub for strength
- Reduced knife-to-anvil clearance for maximum chipping efficiency
- One man knife change from the front
- Swing-away side anvil door to protect disc from damage by rocks or from tramp metal entering the spout
- J-Spout design for wastewood applications
- Deep spout design for whole log chipping

## Options

- Drive components
- Disc brake
- Zero speed indicator
- One-piece or two-piece babbitted knife systems
- CARMANAH disposable knife system
- Vibrating conveyor

## Discharge Arrangements

- Back, Bottom or Top Discharge

  
**CARMANAH**  
 Design and Manufacturing Inc.

Unit #8 - 15050 54A Avenue  
 Surrey, BC Canada V3S 5X7  
 604-299-3431 Fax: 604-299-1310

info@carmanahdesign.com

www.carmanahdesign.com

## Typical Ratings

No. of Knives	Ave. Chip Capacity UPH	Motor Requirements HP-Bot or Back/Top Discharge	Recommended RPM		Rotating Inertia lb-ft <sup>2</sup>		Weights lbs.	
			Bot & Back Discharge	Top Discharge	Bot & Back Discharge	Top Discharge	Bot & Back Discharge	Top Discharge
6	42	250/300	390-480	470-530	31,000	35,600	17,300	18,300
8	50	300/350	390-480	470-530	31,000	35,600	17,300	18,300
10	60	350/400	390-480	470-530	31,000	35,600	17,300	18,300